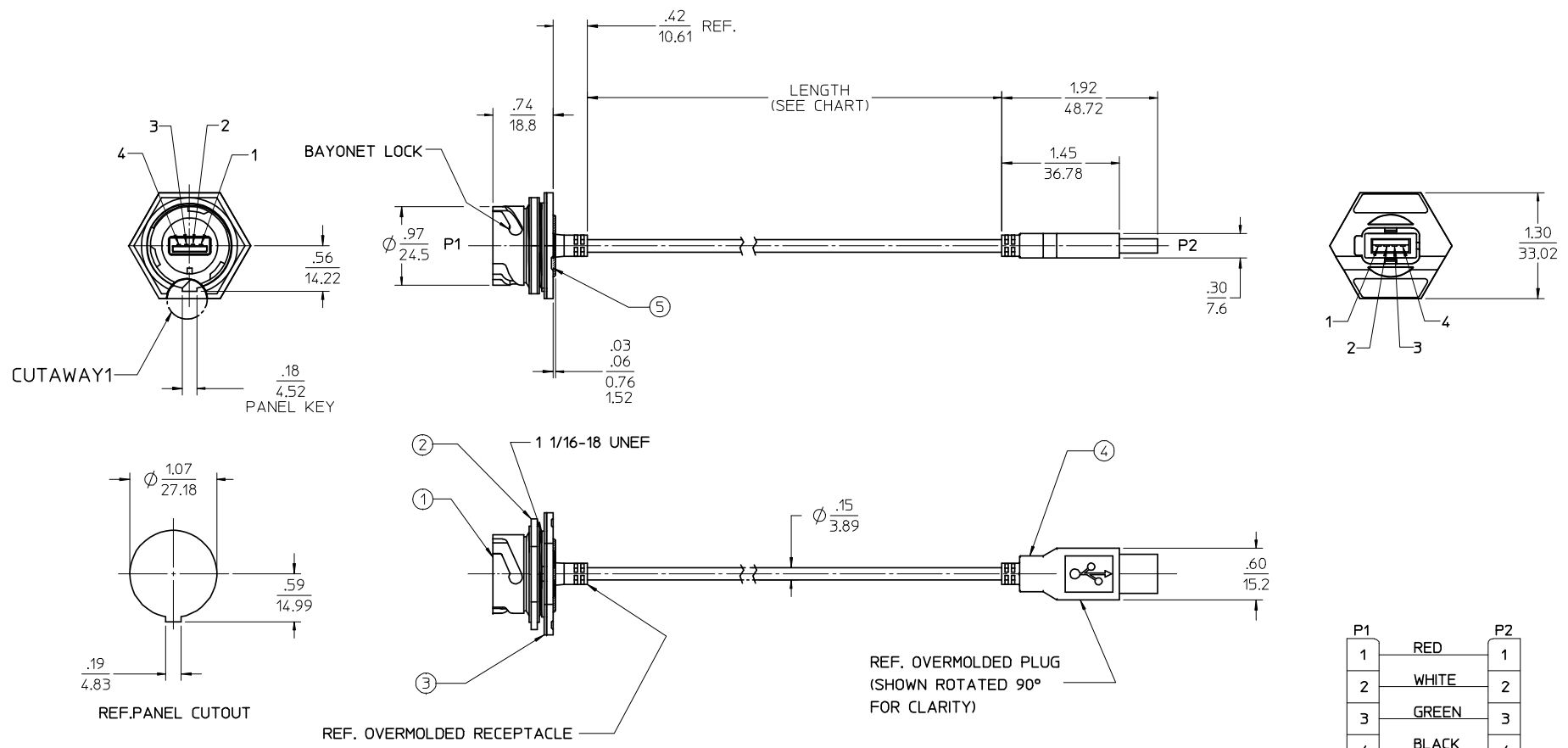


MATERIAL NO.	LENGTH
847290003	6.00 IN +.47 -0 ( 152.0mm +12-0 )
847290004	31.88 IN +1.00-0 ( 810.0mm +25.4-0 )
847290005	51.57 IN +1.00-0 ( 1310.0mm +25.4-0 )
847290006	81.89 IN +1.57-0 ( 2080.0mm +40.0-0 )
847290007	131.10 IN +3.15-0 ( 3330mm +80.0-0 )
847290008	196.90 IN +3.94-0 ( 5000mm +100.0-0 )



- NOTES:
1. MATERIAL: SEE TABLE
  2. FINISHES: SEE TABLE
  3. CABLE MATERIAL:  
OVERMOLD & JACKET: PVC  
SHELL: PHOSPHOR BRONZE, Ni PLATED  
CONTACTS: PHOSPHOR BRONZE, GOLD PLATED
  4. ASSEMBLY IS RoHS COMPLIANT

ITEM	QTY.	DESCRIPTION	MATERIAL	FINISH
5	A/R	POTTING COMPOUND	EPOXY	BLACK
4	1	USB-A CABLE SUB-ASSEMBLY, SHIELDED	AS NOTED	AS NOTED
3	1	PANEL GASKET	NEOPRENE	BLACK
2	1	LOCKNUT	PBT, UL-94V-0	BLACK
1	1	RECEPTACLE HOUSING	PBT, UL-94V-0	BLACK

REV'D TOLERANCES EC NO: MNA2009-0029 DRAWN: STONE 2008/07/14 CHKD: RUPERT APPR: J. MURPHY 2008/08/18	QUALITY SYMBOLS ▽=0 ▽=0
--	-------------------------------

GENERAL TOLERANCES (UNLESS SPECIFIED)	
4 PLACES ±	---
3 PLACES ±	---
2 PLACES ±	±.01
1 PLACE ±	±0.25
ANGULAR ±1/2°	
DRAFT WHERE APPLICABLE MUST REMAIN WITHIN DIMENSIONS	

DIMENSION STYLE	
IN/MM	
DRAWN BY	DATE
R. STONE	2007/02/15
CHECKED BY	DATE
J. MACNEIL	2007/02/20
APPROVED BY	DATE
J. MACNEIL	2007/02/20
MATERIAL NO.	
SEE CHART	
SIZE	C

SCALE 1:1	DESIGN UNITS INCH	THIRD ANGLE PROJECTION
TITLE USB-A CORD ASSEMBLY PLUG & RECEPTACLE		
MOLEX MOLEX INCORPORATED		
DOCUMENT NO. SD-84729-006	SHEET NO. 1 OF 1	
THIS DRAWING CONTAINS INFORMATION THAT IS PROPRIETARY TO MOLEX INCORPORATED AND SHOULD NOT BE USED WITHOUT WRITTEN PERMISSION		